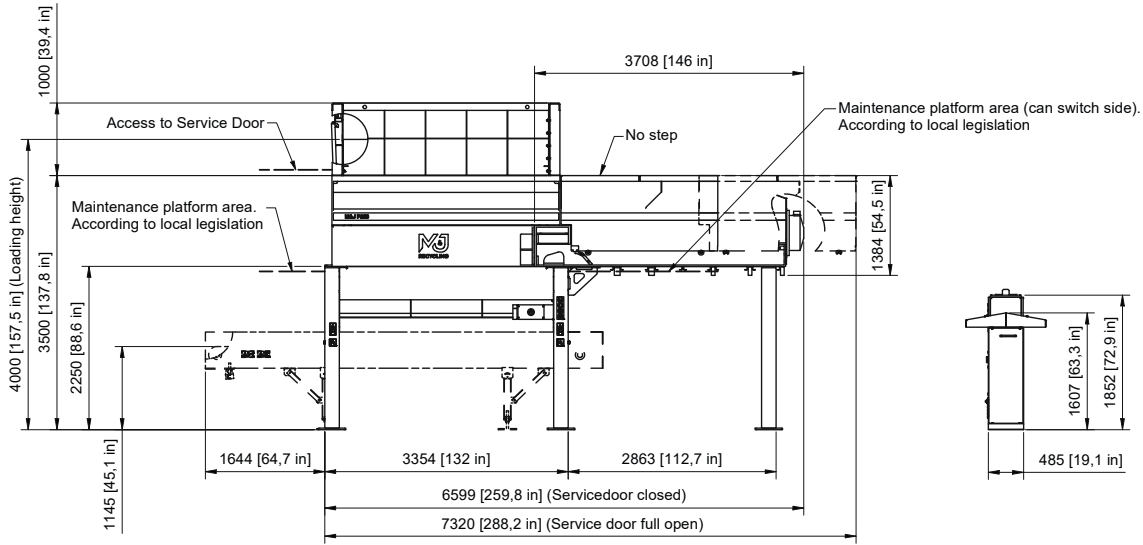


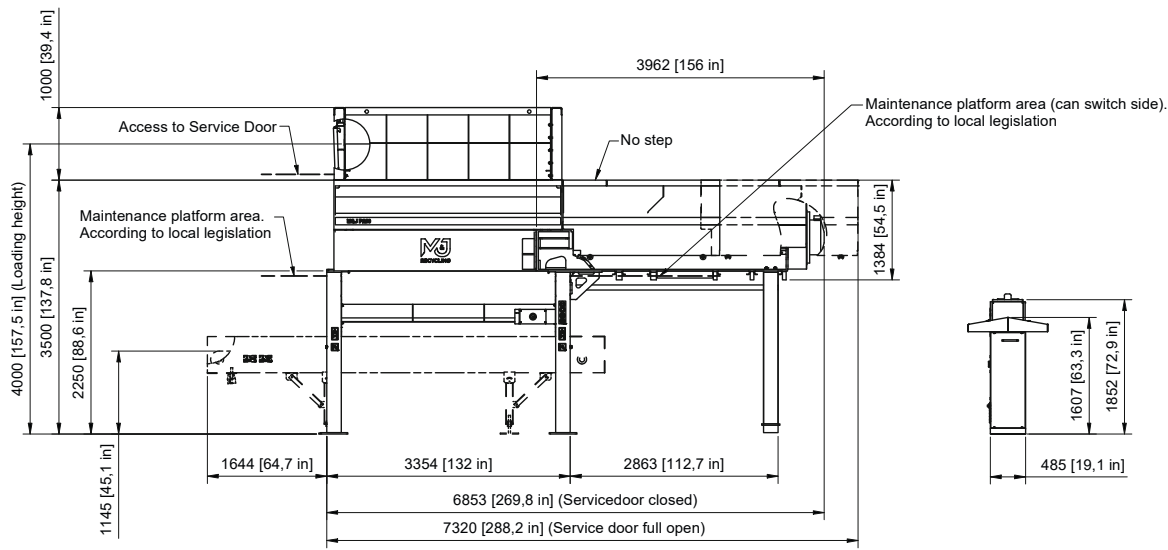
# M&J P250e

Waste Pre-Shredders from M&J Recycling





P250e 220



P250e 320

Specification		
Overall dimensions shredder with standard hopper (LxWxH)	mm	8243 / 8497 x 2531 x 4500
Standard colour	RAL	7011, 9002
Loading height without standard hopper	mm	3500
Cutting area	mm	2474 x 2000
Power pack		
Electric motor	kW	2 x 110 & 2 x 160
Electric control unit		PLC
Drive principle		Double Direct Eletrical

## M&J P250



Ninja star



Dragon sword



Classic



Tomahawk



Butterfly



Tachi



Samurai



Chassis		
Standard belt conveyer (L x W)	mm	5000 x 1200
Discharge height x width	mm	1145 x 1200

Cutting Table		
Number of shafts	pcs	2
Rotating speed	rpm	Up to 59
Number of knives	pcs	6, 8, 9, 10, 12
Cutting area (LxW)	mm	2474 x 2000
Weight complete cutting table	ton	8.5 to 10.3

Grain size *		
6 knives	mm	<450
8 knives	mm	<300
9 knives	mm	<250
10 knives	mm	<200
12 knives	mm	<100

Capacity per hour **		
Household waste	ton	Up to 100
Demolition wood	ton	Up to 70
Industrial waste	ton	Up to 40***
Bulky waste	ton	Up to 55

\* 90% less than \*\* Depending on loading, grain size and density of the input material \*\*\* Easy to medium industrial waste



FOR MORE INFORMATION, CONTACT  
YOUR LOCAL M&J REPRESENTATIVE,  
OR CONTACT YOUR DEALER DIRECTLY.

[MJRECYCLING.COM](https://www.mjrecycling.com)

M&J | Vejlevej 5 | DK-8700 Horsens | Tel: +45 7626 6400 | [sales@mjrecycling.com](mailto:sales@mjrecycling.com)

The information in this document is provided for guidance only and as is without warranty of any kind, either express or implied, including but not limited to the implied warranties of merchantability, fitness for a particular purpose or non-infringement. Information in this document may include information not appropriate to specific configurations, or information which has not been updated. M&J Recycling has the right to make changes in the document without notice. Not all products or services are available in all countries. In no event shall M&J Recycling be liable for any damages. We reserve the right to make changes and improvements without notice.  
\*M&J P250e, UK\*. M&J Recycling, February 2024.